

Description

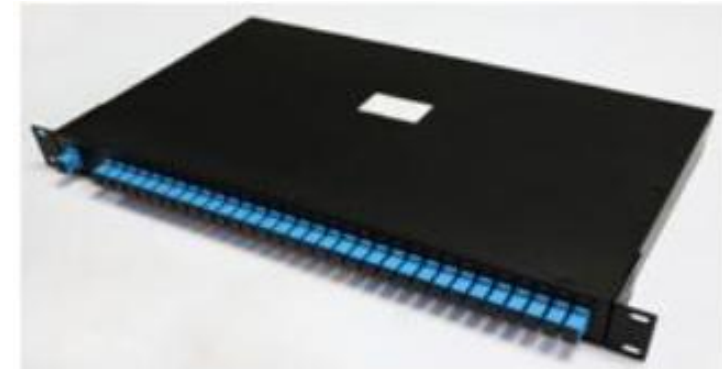
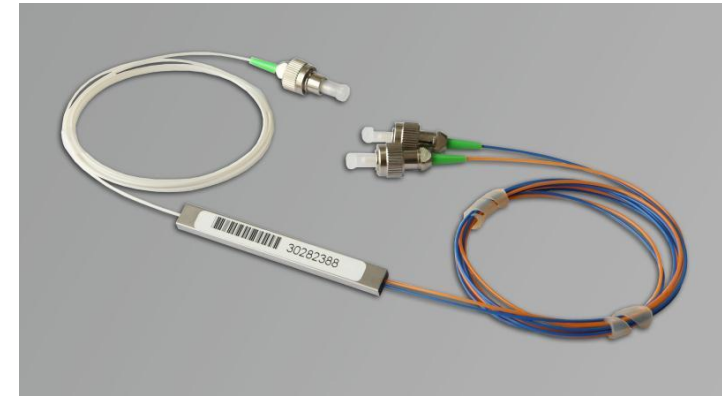
Planar Lightwave Circuit(PLC) splitter is a type of optical power management device that is fabricated using silica optical waveguide technology . It features small size, high reliability, wide operating wavelength range and good channel-to-channel uniformity, and is widely used in PON networks to realize optical signal power splitting. Provides whole series of 1XN and 2XN splitter products that are tailored for specific applications.

Features

- Low Insertion Loss
- Low PDL
- High Reliability and Stability
- Meet GR-1221 and GR-1209 standard
- Meet ROHS standard

Applications

- FTTH
- Passive Optical Network
- Mobile, Telecom Network
- LAN & MAN
- CATV Links
- Test equipment



Performance Specifications: 1×N PLC Splitter

Parameters	1x2	1x4	1x8	1x16	1x32	1x64	1x128
Operating Wavelength (nm)	1260~1650						
Fiber Type	G657A1 or customer specified						
Insertion Loss (dB) (P/S Grade)	3.8/4.0	7.2/7.4	10.3/10.7	13.5/13.7	16.5/16.9	20.5/21.0	23.8/24.2
Loss Uniformity (dB)	≤0.4	≤0.6	≤0.8	≤1.0	≤1.5	≤2.0	≤2.5
PDL (dB)	≤0.1	≤0.1	≤0.1	≤0.20	≤0.25	≤0.3	≤0.4
Return Loss (dB)	≥55	≥55	≥55	≥55	≥55	≥55	≥55
Directivity (dB) Min	55	55	55	55	55	55	55
Wavelength Dependent Loss (dB)	≤0.3	≤0.3	≤0.3	≤0.3	≤0.5	≤0.5	≤0.5
Fiber Length (m)	1.5(±0.1)or customer specified						
Temperature Stability (-40~85℃)	≤0.5						
Operating Temperature (℃)	-40~80						
Storage Temperature (℃)	-40~85						
Maximum Power Handling (mW)	500						

1.The above parameters were measured at room temperature, but not including connectors data.

2.Add an additional 0.2dB loss per connector, Return Loss≥55dB(APC), ≥50dB(UPC).

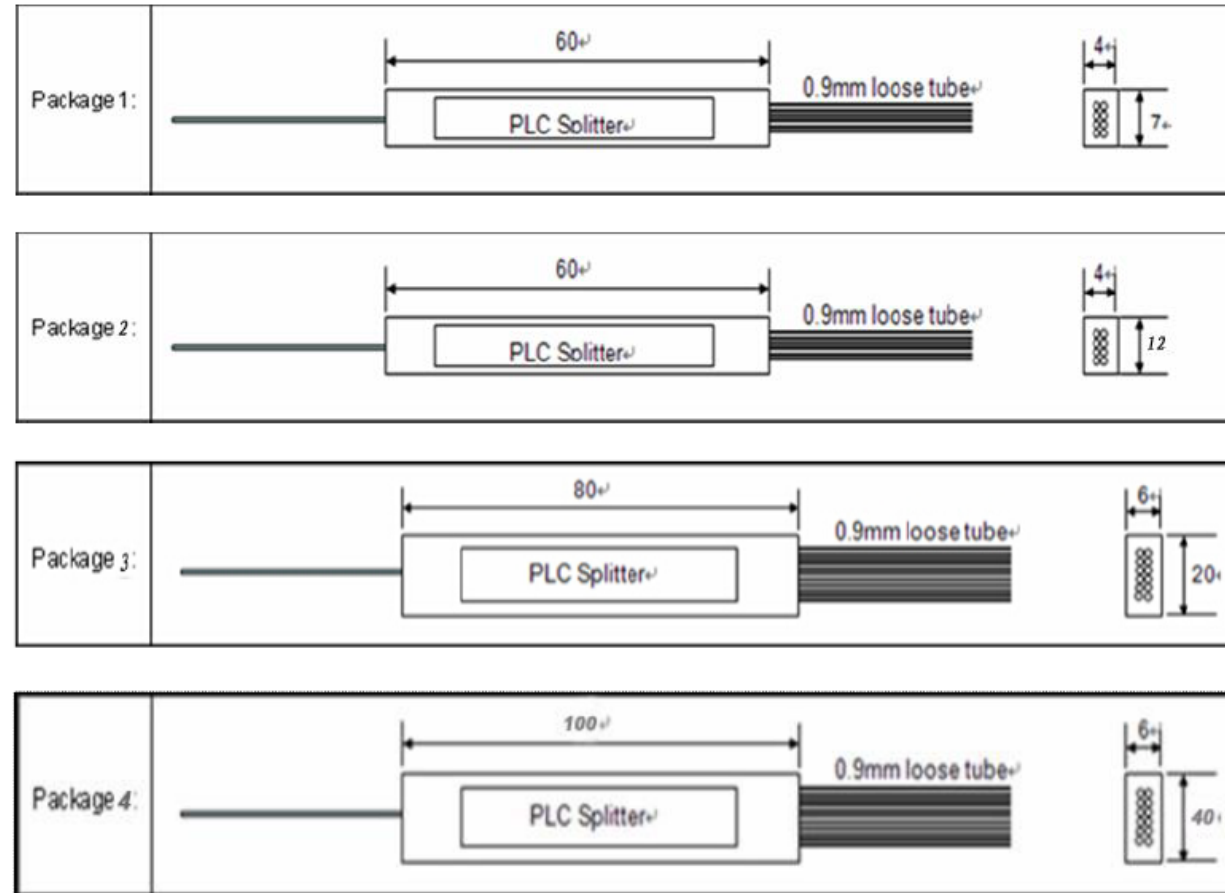
Performance Specifications: 2×N PLC Splitter

Parameters	1x2	1x4	1x8	1x16	1x32	1x64	1x128
Operating Wavelength (nm)	1260~1650						
Fiber Type	G657A1 or customer specified						
Insertion Loss (dB) (P/S Grade)	3.9/4/2	7.3/7.6	10.5/11	14.4/14.6	17.4/17.9	21.0/21.5	24.5/25.0
Loss Uniformity (dB)	≤0.6	≤1.0	≤1.2	≤1.5	≤1.8	≤2.2	≤2.5
PDL (dB)	≤0.2	≤0.2	≤0.2	≤0.3	≤0.3	≤0.3	≤0.4
Return Loss (dB)	≥55	≥55	≥55	≥55	≥55	≥55	≥55
Directivity (dB) Min	55	55	55	55	55	55	55
Wavelength Dependent Loss (dB)	≤0.3	≤0.4	≤0.5	≤0.5	≤0.5	≤0.5	≤0.5
Fiber Length (m)	1.5(±0.1)or customer specified						
Temperature Stability (-40~85℃)	≤0.5						
Operating Temperature (℃)	-40~80						
Storage Temperature (℃)	-40~85						
Maximum Power Handling (mW)	500						

1.The above parameters were measured at room temperature, but not including connectors data.

2.Add an additional 0.2dB loss per connector, Return Loss≥55dB(APC), ≥50dB(UPC).

Package size and pigtail specifications:



Package Box Dimension:

Item	1x2	1x4	1x8	1x16	1x32	1x64	2x2	2x4	2x8	2x16	2x32
LxWxH	60x7x4mm			60x12x4mm	80x20x6mm	100x40x6mm	60x7x4mm			80x12x4mm	100x20x6mm



Specification (with connectors)	Packing box + sponge	A box of a few
1X2 /2X2	295x205x40mm	5
1X4 /2X4		5
1X8 /2X8		3
1X16 /2X16 2		2
1X32 /2X32	320*280*50mm	2
1X64 /2X64	315*285*70mm	1

Order Form:

Port	Input Pigtail Style	Input Connector	Output Pigtail Style	Fiber Length	Output Connector	Package type
0102=1x2	0=bare fiber	0=none	0=bare fiber	0=0.5m	0=none	A=Bare
0104=1x4	1=900um Loose tube	1=SC/PC	1=900um Loose tube	1=1m	1=SC/PC	B=Minitype
0108=1x8	2=900um Jacket	2=SC/APC	2=900um Jacket	2=1.5m	2=SC/APC	C=ABS box
0116=1x16	3=2.0mm cable	3=FC/PC	3=2.0mm cable	3=2m	3=FC/PC	D=Insert type
0132=1x32	4=3.0mm cable	4=FC/APC	4=3.0mm cable	4=3m	4=FC/APC	E=Pallet type
0164=1x64		5=ST		5=4m	5=ST/PC	F=19" 1U Rack
1128=1x128		6=LC		S=special	6=LC/PC	S=Special
0204=2x4		7=LC/APC			7=LC/APC	
0208=2x8		8=E2000			8=E2000	
0216=2x16		S=Special			S=Special	
0232=2x32						
0264=2x64						
2128=2x128						